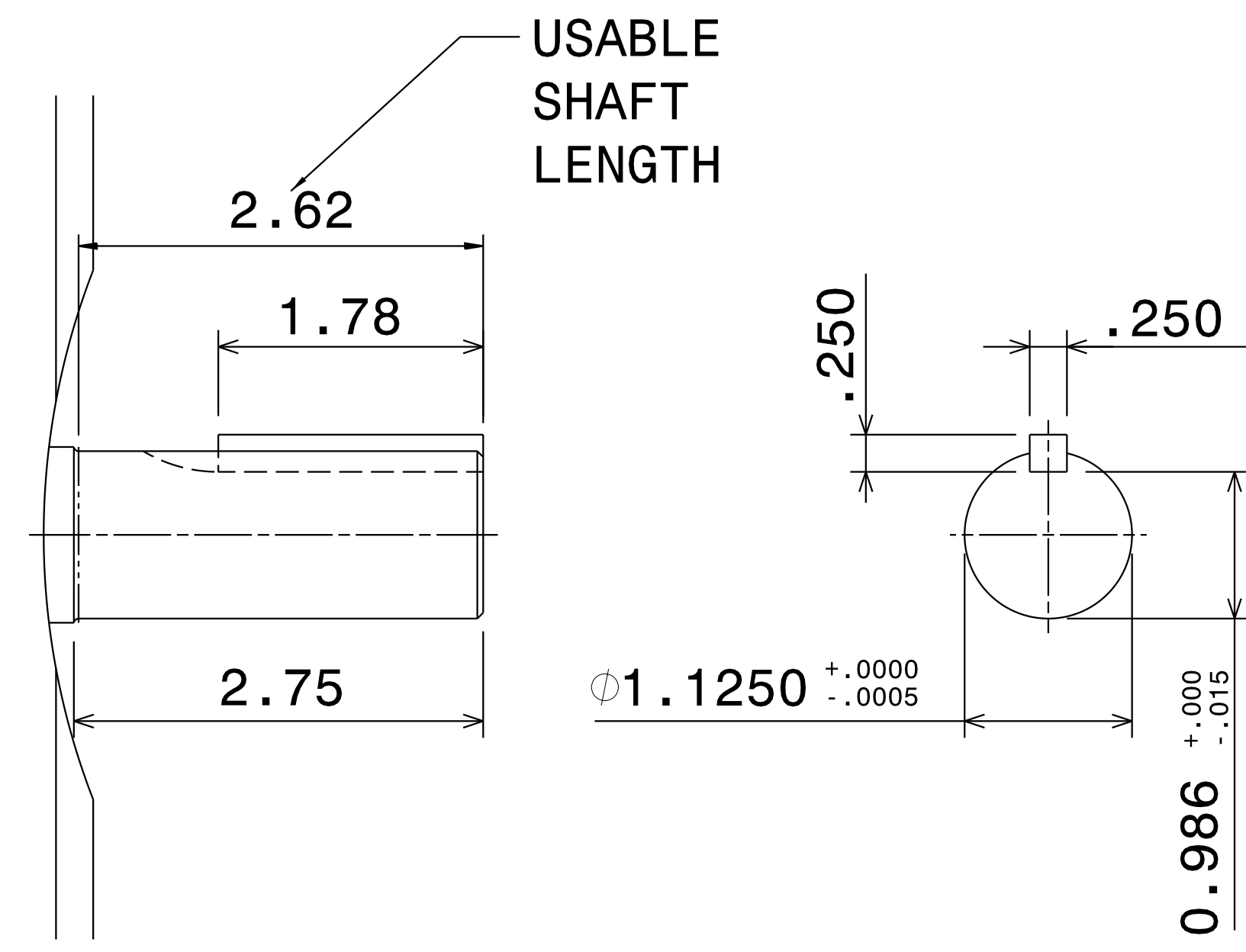
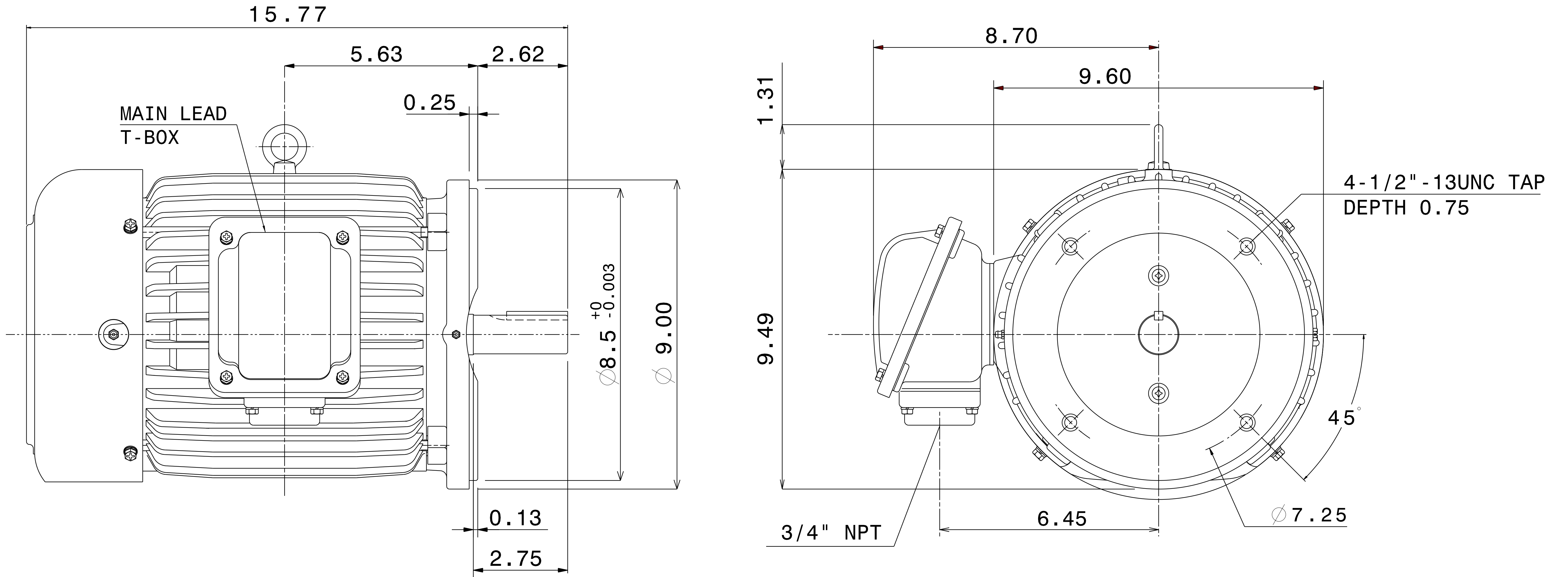


CATALOG #	TYPE	FRAME	OUTPUT		POLE	SYN. SPEED R.P.M.	VOLTAGE V.	Hz.	TIME RATING	INSULATION CLASS	SERVICE FACTOR	BEARINGS		WEIGHT LBS
			HP	KW								DE	NDE	
XPV0052C	AEUHXF	184TC	5	3.75	2	3600	230/460	60	CONT.	F	1.15	6306ZZC3	6306ZZC3	150

TOTALLY ENCLOSED FAN-COOLED VERTICAL TYPE. SQUIRREL CAGE MOTOR



- NOTES:
1. DIMENSIONS IN INCH.
 2. ENCLOSURE: IP54.
 3. FOR DIRECT FLEXIBLE COUPLING.
 4. EXPLOSION PROOF: CLASS I, DIV 1, GR. C&D, CLASS II, DIV 1&2, GR. E,F,&G.

REF: 31049U552001	REV. DATA		REV NO
	TECO Westinghouse		01
	3-PHASE INDUCTION MOTOR OUTLINE DIMENSIONS		DWG NO. XPV0052C
	DWN K. MILNER	081417	APPD T. FELPS 081417
TECO-WESTINGHOUSE MOTOR COMPANY		ROUND ROCK, TEXAS	USA